

# Containerized BESS

Model: ZGE-CI-Z-2.5-5

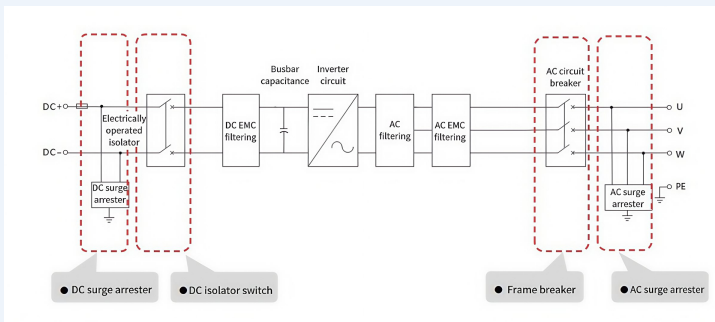


PCS+Boosting System

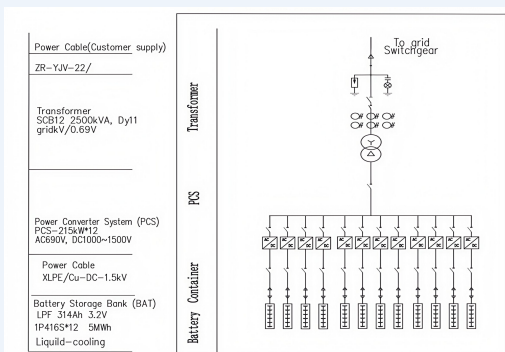


Battery System

Energy storage converter circuit block diagram



2.5MW/5MWh BESS Single-line Diagram



## Features

- LFP, 314 Ah cells
- 5 MWh energy capacity
- 2.5MVA Transformer+ 12\*215kW PCS+MV cabinet
- Liquid cooling system for battery system
- 20-foot pre-installing battery container
- Back-up power, peak shaving, micro-grids, energy arbitration applications

